

D

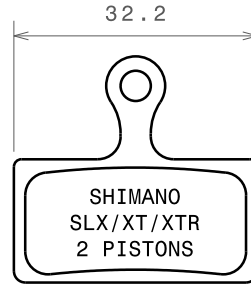
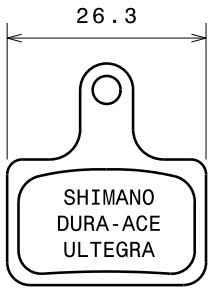
C

B

A

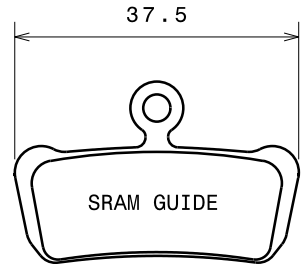
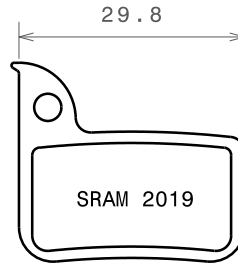
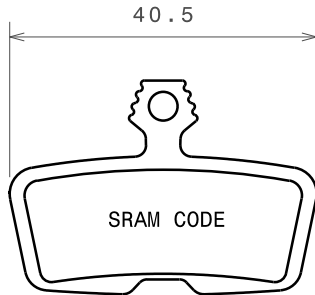
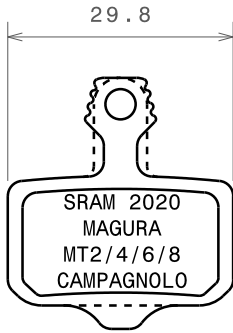
4

4



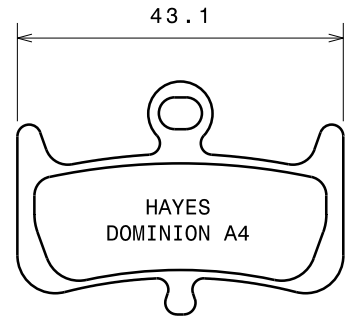
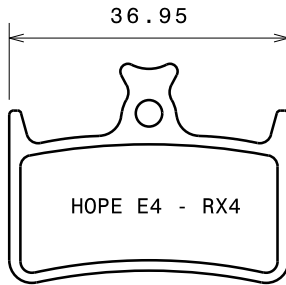
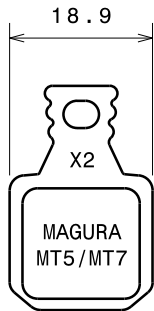
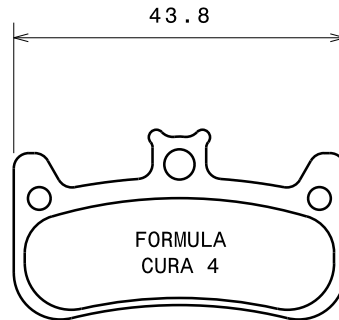
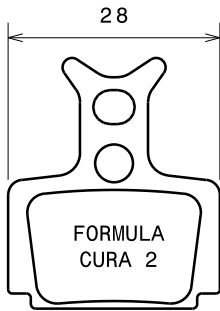
3

3



2

2



1

1

DESIGNED BY:
AMP
DATE:
18/03/2024

BRAKE PADS GAUGE

- 1- PRINT THIS GAUGE ON A A4 SHEET
- 2- MATCH YOUR CURRENT BRAKE PADS TO FIND THE REFERENCE YOU NEED



SIZE
A4

AMP - BRAKING COMPONENTS

SCALE
1:1

WEIGHT (kg)
XXX

DRAWING NUMBER
VERSION 1

SHEET
1 / 1

I	-
H	-
G	-
F	-
E	-
D	-
C	-
B	-
A	-

This drawing is our property; it can't be reproduced or communicated without our written agreement.

D

A